

JVC | Instruction Book

DIRECT DRIVE AUTO-RETURN TURNTABLE **L-A55**



WARNING: TO PREVENT FIRE OR SHOCK HAZARD, DO NOT EXPOSE THIS APPLIANCE TO RAIN OR MOISTURE.

For Customer Use:

Enter below the Model No. and Serial No. which is located either on the rear or bottom of the cabinet. Retain this information for future reference.

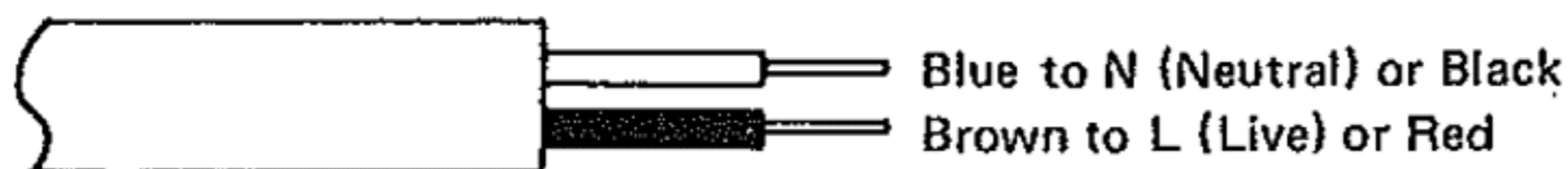
Model No. _____

Serial No. _____

**IMPORTANT (In the United Kingdom)
Mains Supply (AC 240 V~, 50 Hz only)**

IMPORTANT

Do not make any connection to the Larger Terminal coded E or Green. The wires in the mains lead are coloured in accordance with following code:



If these colours do not correspond with the terminal identifications of your plug, connect as follows:

Blue wire to terminal coded N (Neutral) or coloured Black.

Brown wire to terminal coded L (Live) or coloured Red.

If in doubt – consult a competent electrician.

THIS EQUIPMENT SHOULD BE DISCONNECTED FROM THE MAINS WHEN NOT IN USE.

WARNING

Dangerous voltage inside.

CAUTION

To prevent electric shock, do not remove screws, covers or cabinet.

No user-serviceable parts inside. Refer servicing to qualified service personnel.

WARNING

To prevent fire or shock hazard, do not expose this appliance to rain or moisture.

INTRODUCTION

Thank you for purchasing JVC's L-A55 Direct Drive Auto-Return turntable. Many advanced features of this turntable will be correctly and efficiently utilized only when you read this instruction book, understand it and operate the turntable correctly. Wishing you happy and successful listening.

CONTENTS

Introduction	1
Preparations	2
Operation (How to use)	3
Adjustment	4
Mounting cartridge	5
Stylus replacement	5
Troubleshooting	5
Specifications	6

PREPARATIONS

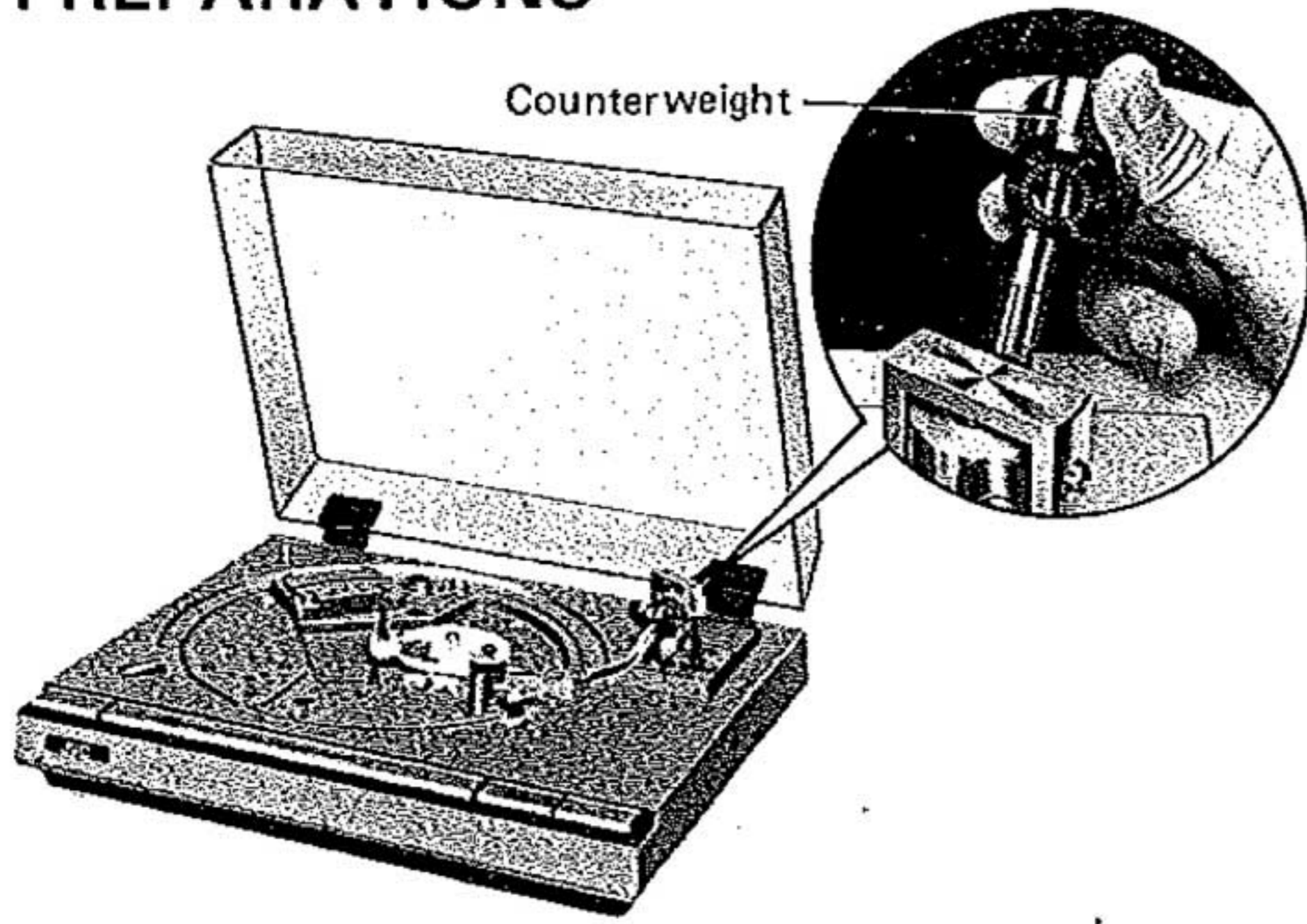


Fig. 1

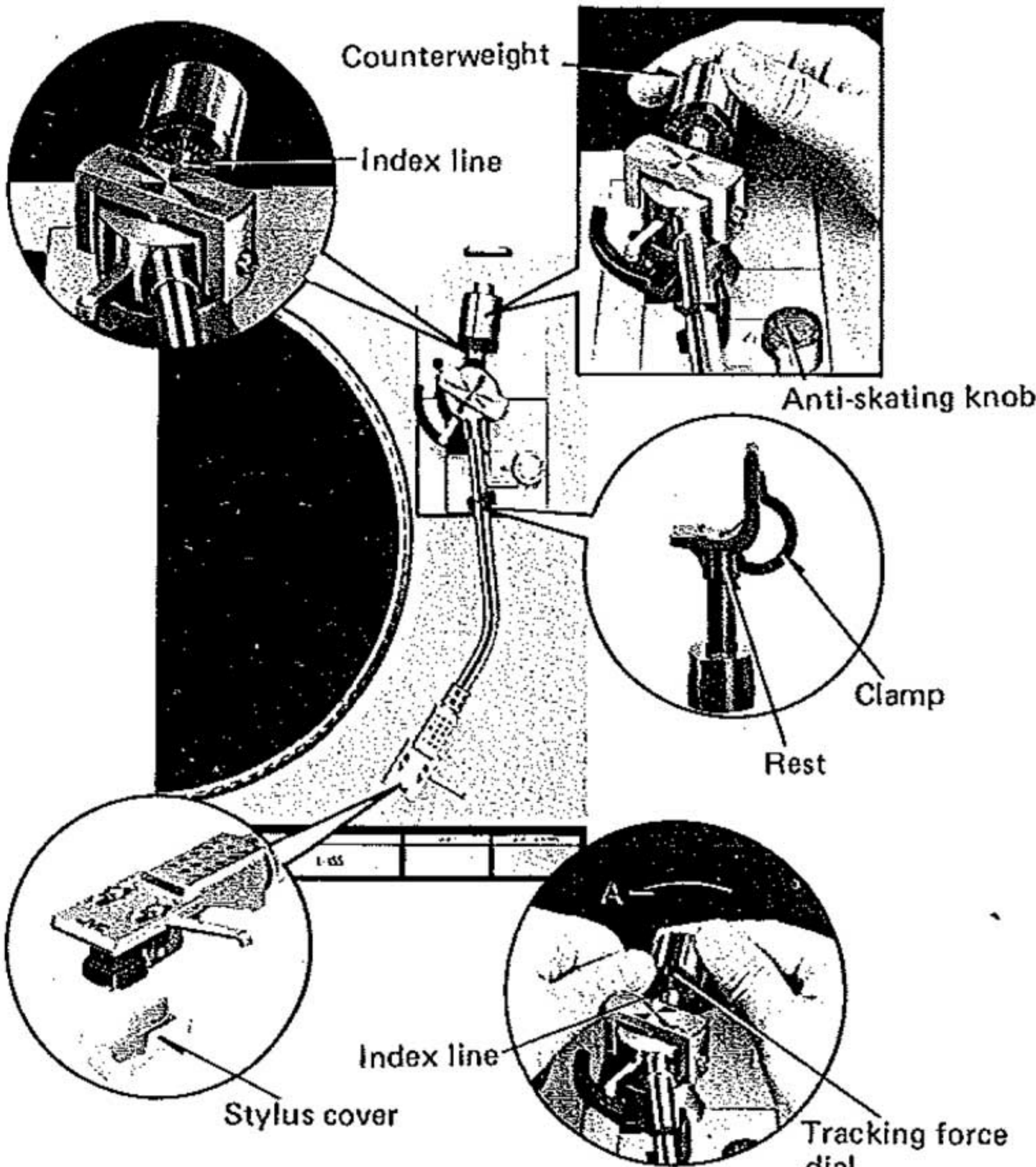


Fig. 2

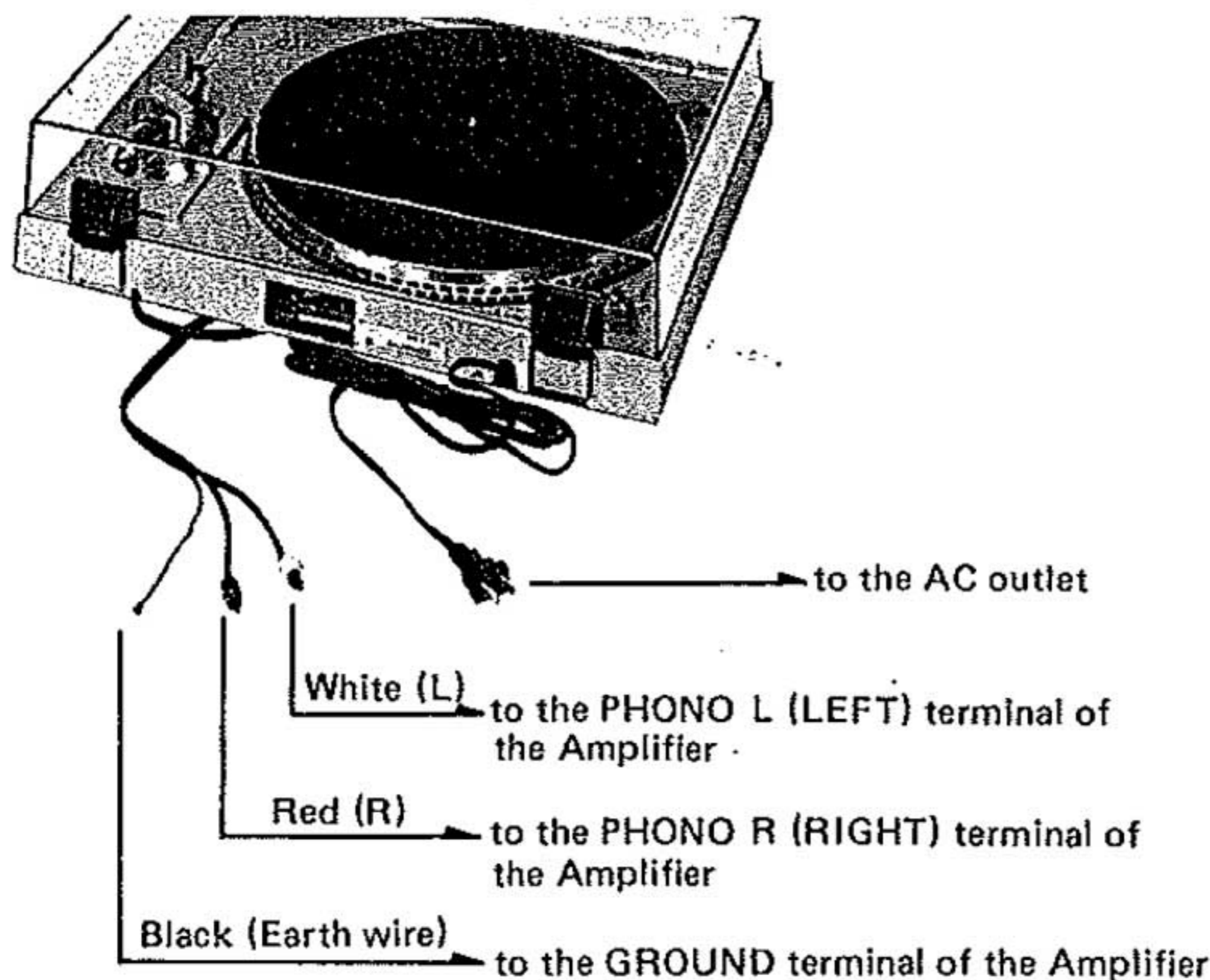


Fig. 3

Note:

Do not connect the power cord to the outlet until all preparations are completed.

● **Unpacking and setting up (Fig. 1)**

1. Remove the shipping screw securing the counterweight.
2. Slide the counterweight as close to the tonearm base as possible.
3. Mount the platter onto the center shaft of the motor gently, exercising care not to damage the motor shaft, and place the platter mat on top of the platter.

● **Tracking force adjustment (Fig. 2)**

1. Set the anti-skating knob to the "0" mark on the dial.
2. Place an unwarped disc onto the platter.
3. Remove the stylus cover from the stylus.
4. Release the tonearm clamp.
5. Turn the counterweight until the tonearm is balanced.
6. Stop turning the counterweight when the stylus tip is almost touching the disc surface.
7. Return the tonearm to the rest and clamp it.
8. Hold the counterweight at the adjusted position and turn the tracking force dial until the "0" mark is aligned with the index line on the tonearm weight shaft.

Turn the counterweight in the A direction until the "1.75" mark on the dial is aligned with the index line for the model preparing cartridge Z-1S. (Except the model L-A55 for U.S.A., CANADA, and U.K.)

● **Connection to a stereo amplifier (Fig. 3)**

Firmly connect the white plug of the L-A55 output cord to the PHONO L (left) terminal of the stereo amplifier, the red plug to the R (right) terminal and Earth wire (black) to the GROUND terminal.

OPERATION (HOW TO USE)

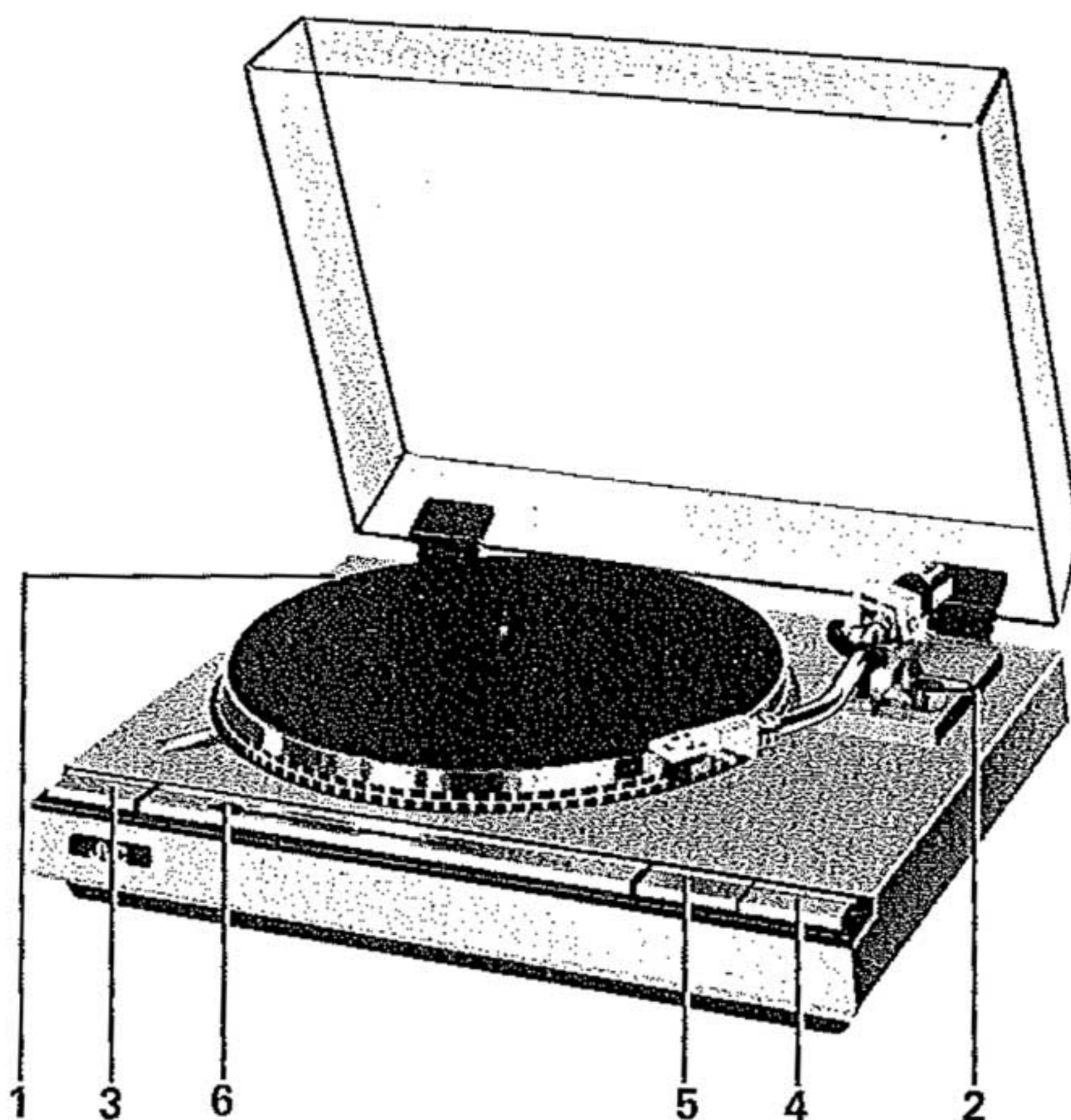


Fig. 4

1. EP adaptor

Place this adaptor onto the center spindle when you play a record with a bigger center hole such as a doughnut record.

2. Anti-skating knob

This device cancels out the centripetal force that pulls the tonearm to the center of the platter. This prevents the stylus tip from skating toward the center of the platter and at the same time eliminates any excessive stylus tip force on the inner wall of the record groove.

Use the ● marked dial when employing a spherical stylus. Use the ● marked dial when employing an elliptical stylus or a Shibata stylus.

Turn the dial to the same number as the tracking force dial.

3. Speed select button

Select a proper position (33 or 45) of the speed select button in accordance with the rpm of the record.

33-1/3 rpm record (LP) "33"
45 rpm record (EP) "45"

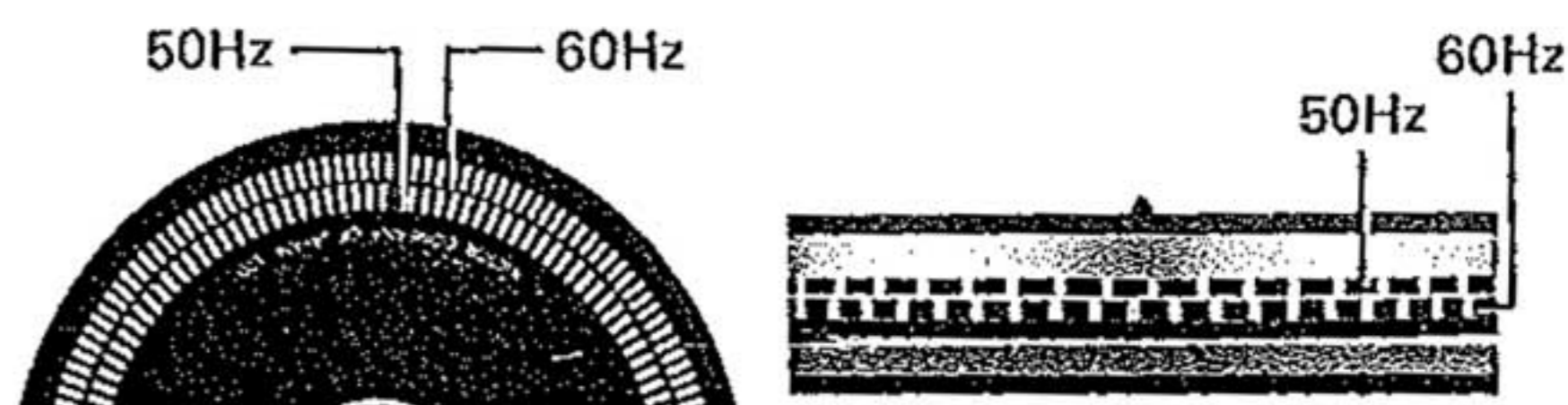
4. Arm lifter button

This is used when you want the tonearm gently lifted up or lowered down. When you PUSH it to "UP" position (▲), the tonearm will be lifted up, and when you push it to "DOWN" position (▼), it will be lowered down gently onto the record surface.

5. Reject button

When you stop playing the record, PUSH the button and release it. The button returns to its original position and the tonearm lifts itself up, returns automatically to its rest and the platter stops rotating.

6. Pitch control knob and strobo disc



Strobe pattern and stroboscope

When speed adjustment is performed, observe the strobe pattern around the periphery of the platter for 33-1/3 disc and use the stroboscope provided for 45 speed.

Turn the speed adjustment knob until the dots appear to be stationary.

Be sure to use the dot pattern corresponding to the local line frequency.

- The dots appear to move in the same direction as the platter
Turntable rpm is too fast.
Turn the speed adjustment knob toward S (slow).
- The dots appear to move in the direction opposite to the platter
Turntable rpm is too slow.
Turn the speed adjustment knob toward F (fast).
- The dots appear to be stationary
Turntable rpm is proper.

Your new L-A55 is designed to constantly maintain the correct speed, once the fine pitch adjustment has been made despite fluctuations in the AC mains voltage and frequency (normally $\pm 0.4\%$ on average) which may cause slight changes in the strobe patterns due to lighting of the neon lamp, and speed adjustment is not required.

ADJUSTMENT

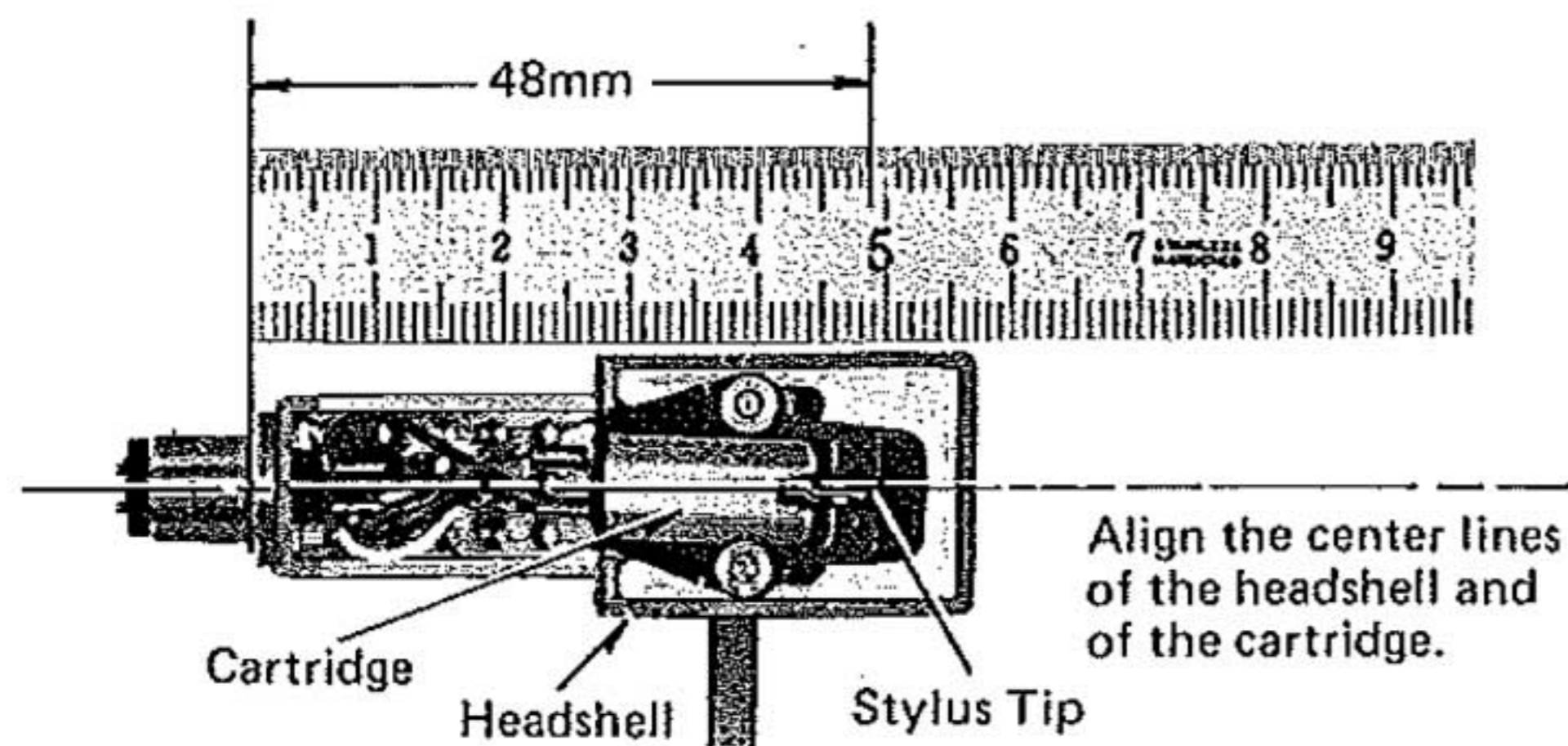


Fig. 5

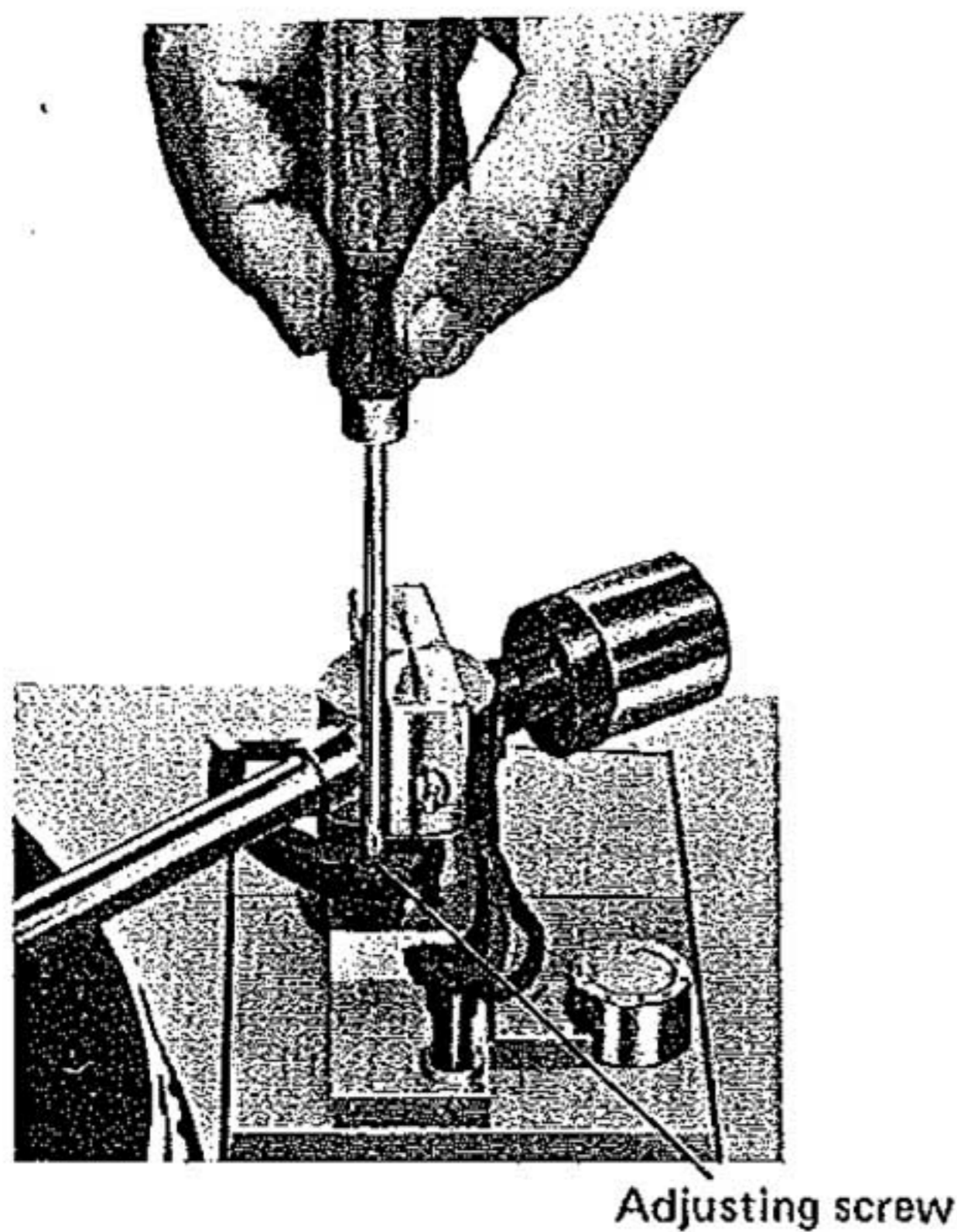


Fig. 6

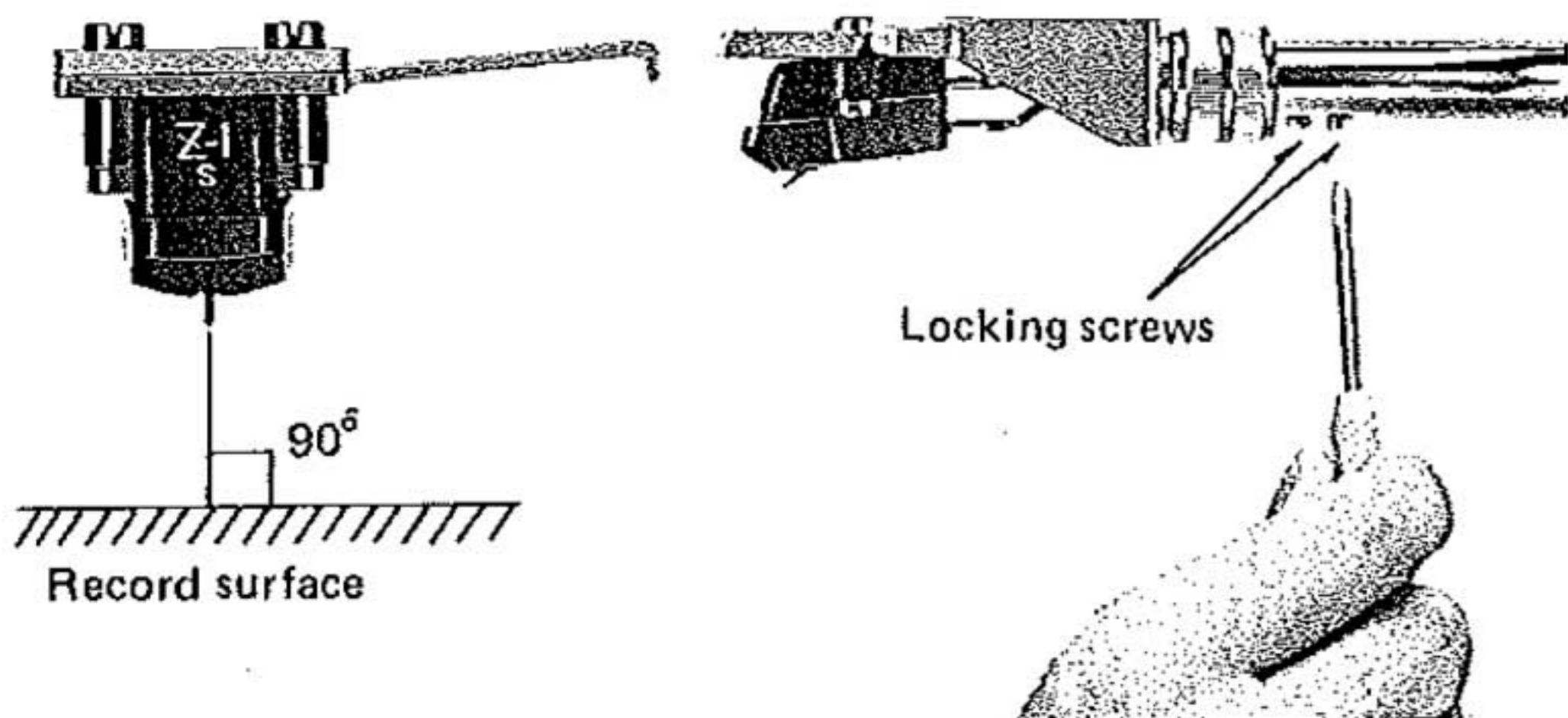


Fig. 7

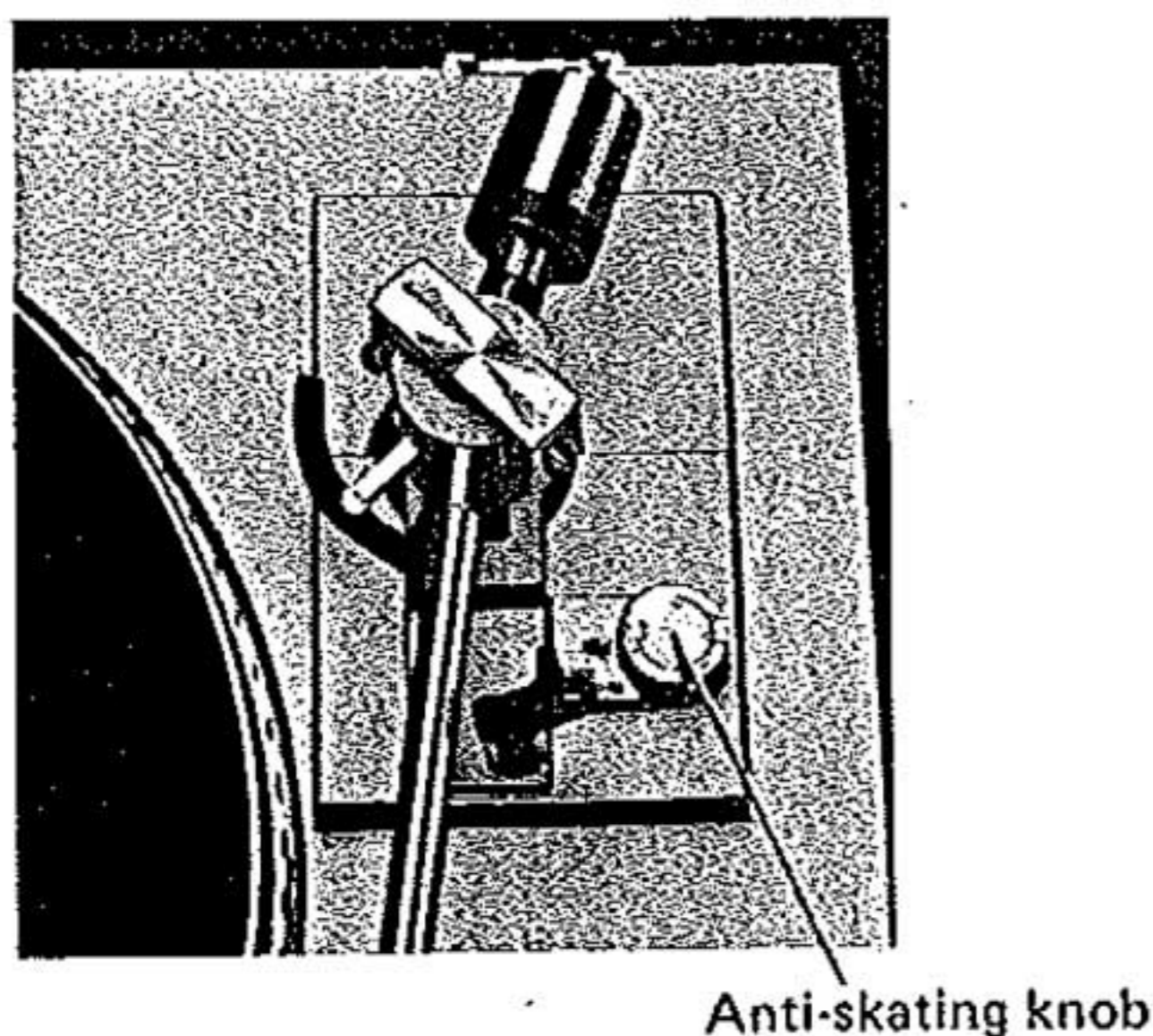


Fig. 8

The following adjustments are recommended only in the event that you have replaced a cartridge or a headshell. Otherwise, no adjustments are required.

Note: When changing a cartridge, use the provided headshell when possible.

- **Overhang Adjustment (Fig. 5)**

To obtain optimum overhang, when mounting the cartridge, first align the cartridge's longitudinal axis to that of the headshell and position the cartridge so that the distance between the headshell's end face and the stylus tip equals 48 mm as shown in Fig. 5.

Be sure to tighten the set screw after the adjustment. Errors within 1 mm are negligible from a practical point of view.

- **Tonearm elevator height adjustment (Fig. 6)**

The optimum clearance between the stylus tip and the record surface is about 6 mm when the tonearm is supported by the tonearm elevator.

Turning the adjusting screw clockwise lowers the height of the tonearm elevator and counterclockwise increase it.

- **Headshell mounting angle adjustment (Fig. 7)**

When the headshell is locked into the end of the tonearm, the stylus in some cartridges may still not be tangential (90°) to the platter. If such is the case, loosen the locking screws on the lower side of the tonearm using a small screwdriver (as shown) and move the headshell to adjust the stylus at a right angle (90°) to the platter. Measurement by eye is sufficient.

After adjustment be sure to tighten the locking screws firmly.

- **Anti-skating adjustment (Fig. 8)**

Adjust the anti-skating force according to the cartridge used. Turn the anti-skating knob dial to the same number on the tracking force dial.

Use the ● marked dial when employing a spherical stylus. Use the ● marked dial for an elliptical or a Shibata stylus.

Set the "1.75" of the ● marked dial to the index line since the L-A55 is provided with a spherical stylus and the tracking force has been adjusted to 1.75 g.

MOUNTING CARTRIDGE

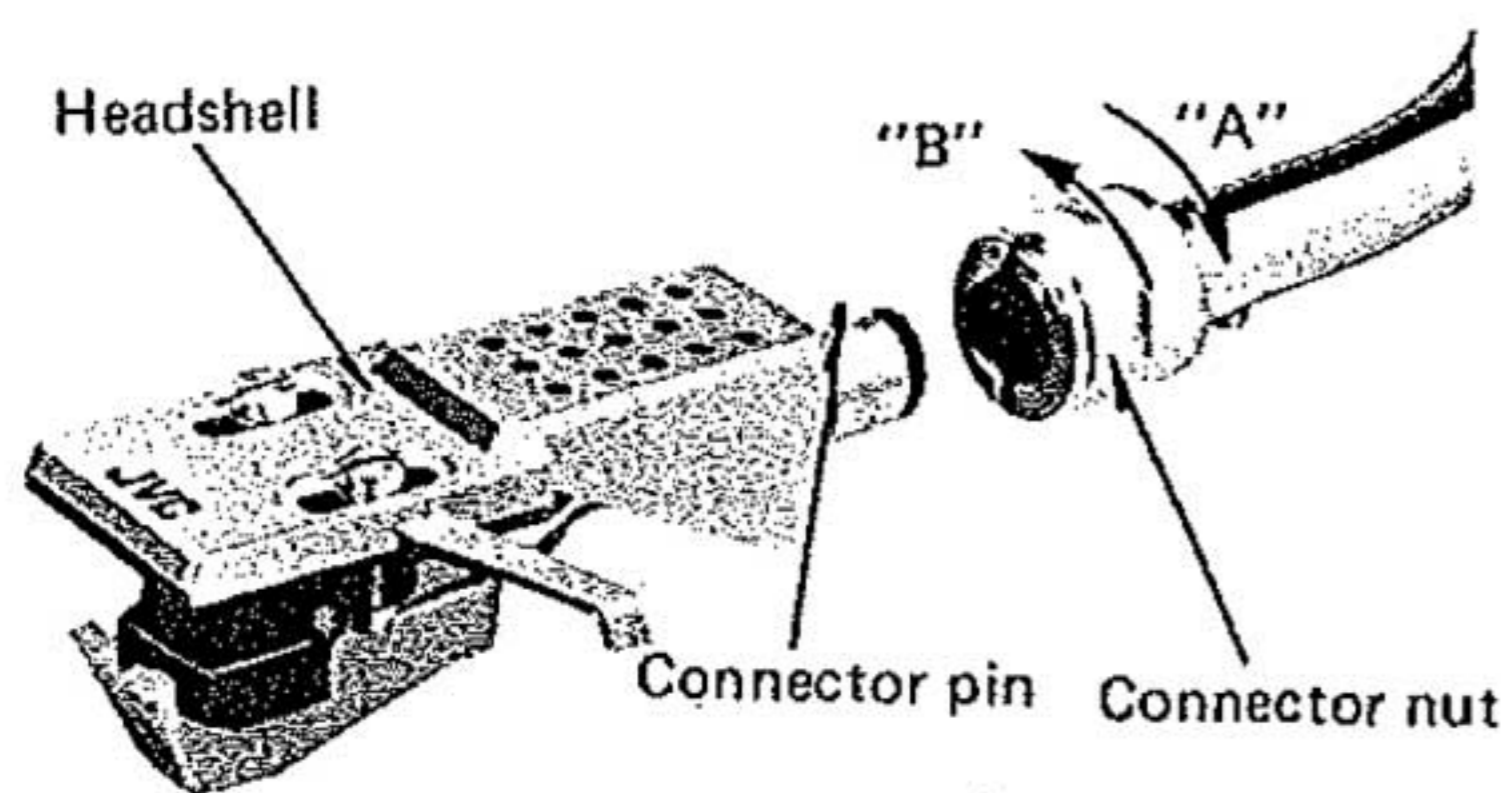


Fig. 9

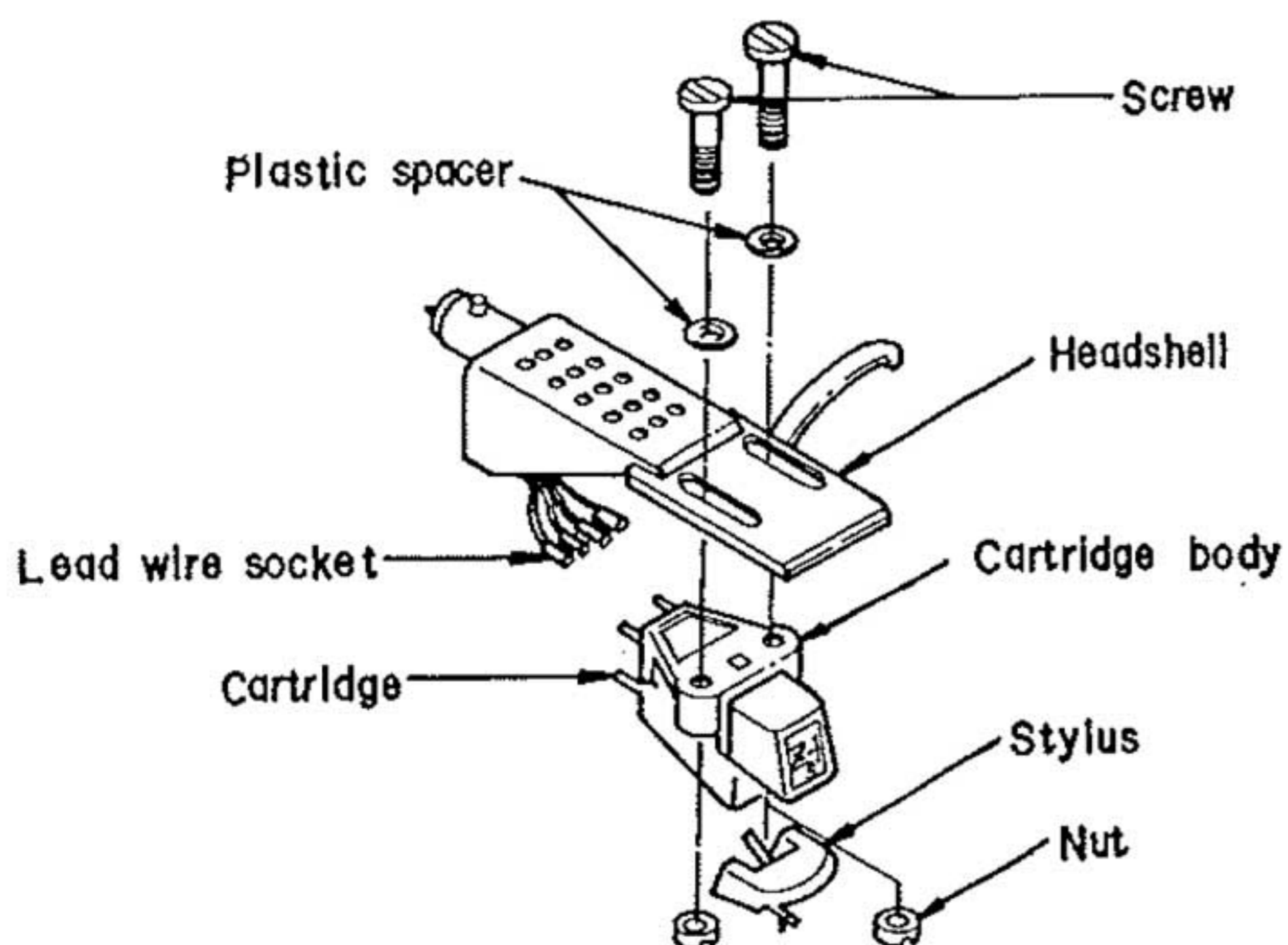


Fig.10

- **Removal and mounting of the headshell (Fig. 9)**
Turn the connector nut in the direction of "A" to remove the headshell from the tonearm. Turn it in the direction of "B" for mounting the headshell.

- **Mounting cartridge (Fig. 10)**

1. Remove the 2 screws securing the cartridge on the headshell.
2. Install your cartridge onto the headshell provided or onto a headshell of your selection.
3. The four headshell lead wires are colour-coded as follows, connect them correctly:

White (+)L	Red (+)R
Blue (-)LE	Green (-)RE
	(Left) (Right)
4. Mount the cartridge properly onto the headshell and leave the set screws slightly loosened, then, after completing the "overhang adjustment" (see P. 4) tighten them firmly.
5. After each cartridge replacement, be sure to perform "tracking force" (see P. 2) and "anti-skating" (see P. 4) adjustments.

STYLUS REPLACEMENT

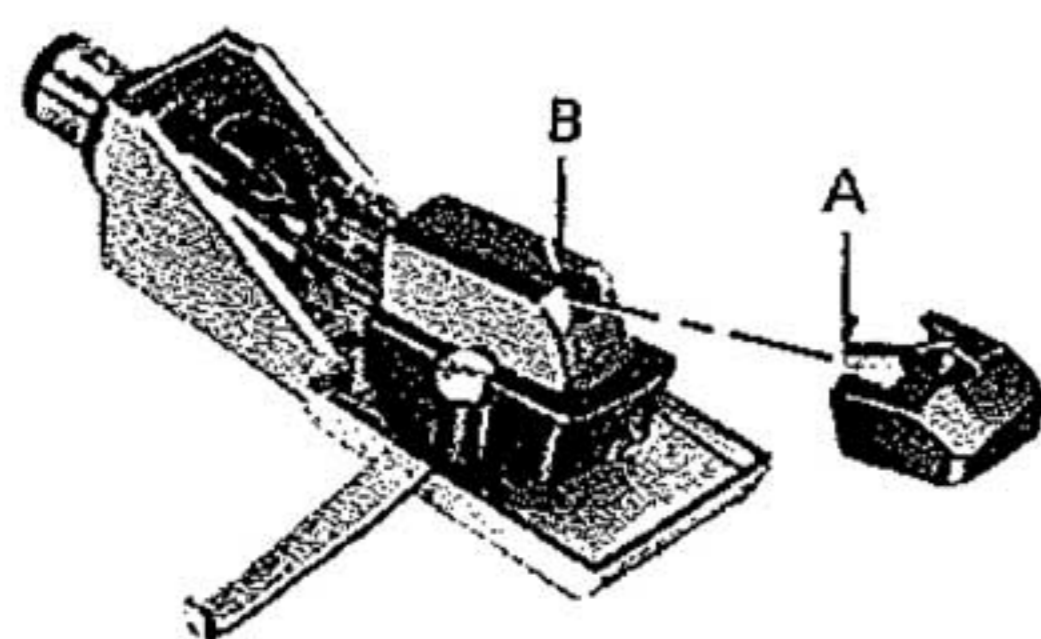


Fig.11

Replacement of the stylus can be easily made by simply inserting the stylus plug (A) into the jack (B) of the cartridge.

Service life of the stylus employed for this unit is generally as follows, though it varies, depending on the record conditions (dirty record groove etc.):

Stereo LP record (30 cm)
 Approx. 800 – 1600 hours

Styli are disposable items.

Therefore, it is recommended to buy a supply of styli when you buy the unit. When purchasing them, specify the DT-Z1S (JVC standard).

TROUBLESHOOTING

What appears to be trouble may not always be real trouble. Make sure first . . .	
No power	Is the power cable disconnected?
No sound	Are the input terminals of the amplifier properly connected? Is the tape monitor switch of the amplifier turned to "ON"? Is the volume control of the amplifier set to "MIN"? Are the cartridge wires poorly connected or is the connection between the headshell and the tonearm loose?
Hum or noise during play	Are the cords with red and white plugs making contact with the "PHONO" terminals of the amplifier?

SPECIFICATIONS

MOTOR SECTION

Motor : Coreless DC type FG servomotor
Drive system : Direct drive
Speeds : 33-1/3 and 45 rpm
Pitch control range : $\pm 3\%$
Wow and flutter : 0.03% (WRMS), 0.015% (WRMS)*
0.045% (DIN)
Signal-to-noise ratio : More than 75 dB (DIN-B)
Speed detection : Frequency generator
Platter : 30.8 cm

TONARM SECTION

Type : TH system (Tracing Hold)
S-shaped tubular arm
Effective length : 220 mm
Overhang : 15 mm
Weight range : 12.5~18.5 g (including headshell weight)

* Measured at attached encoder's output by K&K measuring method.

CARTRIDGE SECTION (Except for the U.S.A., Canada and U.K.)

Model : Z-1S
Type : Moving magnet (MM type)
Frequency response : 10Hz ~ 25,000Hz
Output : 3mV (1000Hz, 5 cm/sec)
Channel separation : 25 dB (1000Hz)
(Test record TRS-1)
Load resistance : 47k Ω ~ 100k Ω
Compliance : 10 x 10⁻⁶ cm/dyne (Dynamic)
30 x 10⁻⁶ cm/dyne (Static)
Stylus tip : 0.6 mil diamond
Stylus : DT-Z1S
Optimum tracking force : 1.75 \pm 0.25 g

GENERAL

Power source : Refer to the following table
Power consumption : Refer to the following table
Dimensions : Height 13.1 cm (with cover closed)
Width 43.8 cm
Depth 38 cm
(5-5/32" x 17-1/4" x 14-31/32")
(Since the dimensions show only the design measurements, consideration is required when installing the unit in a limited space such as a rack, etc.)
Weight : 5.5 kg (12.1 lbs.)
(without corrugated cardboard case)
Accessory : EP adaptor 1

Design and specifications subject to change without notice.

POWER SPECIFICATIONS

	Line Voltage & Frequency	Power Consumption
U.S.A. & Canada	AC 120V~60Hz	9.5 watts
Continental Europe	AC 220V~50Hz	"
U.K. & Australia	AC 240V~50Hz	"
U.S. Military Market	AC 110/120/220/240V~50/60Hz Selectable	"
Other Areas	AC 110/120/220/240V~50/60Hz Selectable	"